



DEXTER
LAUNDRY

ON-PREMISE LAUNDRY T-750 EXPRESS STACK WASHER-DRYER



T-750 EXPRESS STACK WASHER-DRYER

Dexter On-Premise 6-Cycle Stack Washer-Dryer

On-Premise laundry solutions you can depend on.

Dexter on-premise stack washer-dryers are engineered to show up for work in even the harshest laundry environments. Featuring flexible controls and high quality materials, these space saving combination units are designed to help make you more successful.

When your business depends on clean laundry, choosing the right equipment is an important decision. Our products will provide you the efficiency, flexibility, performance, and durability you need to be confident in your choice. With lifetime technical support and an industry leading warranty, you can be confident that we will stand behind every machine you invest in.

Contact your Dexter Authorized Distributor today for more details.

DURABLE:

With heavy-duty bearings in cast iron bearing housings, welded steel spiders and shafts, and rugged frame and cabinet designs, Dexter stack washer-dryers are built to last.

Every model is designed to withstand our 1,000 hour out-of-balance test.

The polished chrome washer doors and AISI 304 stainless steel tub, cylinder, and panels keep machines looking great for years.

RELIABLE:

We offer an industry leading 10-year limited warranty on the washer unit and a 5-year limited warranty on the dryer.

A 3-year parts warranty covers the rest.

We stand behind every machine you invest in with lifetime technical support.

EFFICIENT:

With a dry-to-dry time of less than one hour, the Dexter stack washer-dryer works fast and efficiently.

Next generation inverter drives on both the washer and dryer lower electrical usage and improve performance.

Powerful Express 200 g-force extraction removes more water to reduce dry time and help save energy.

This dryer features a reversing tumbler to help prevent roping with large linens.

INSTALLATION:

This combination unit provides a full laundry solution in a single footprint and is ideal for laundries with limited space.

The adjustable final extract speed allows the unit to fit almost any location.

FLEXIBLE:

The 6-cycle washer & dryer controls provide flexible and easy to use settings with six cycles that are programmable to fit your laundry needs.

Our electronic pressure switch offers a range of water level options to increase efficiency and help save water.

The automatic chemical injection feature allows for the perfect combination of chemicals and help to protect your staff from harmful substances.

OPTIONS:

Available with stainless steel or galvanized dryer tumblers, and chrome or stainless steel dryer doors.

Gas models, with propane kits available.

Dexter 200G Express stack washer-dryers are available in 20lb, 30lb, and 50lb, capacities.

T-750 EXPRESS STACK WASHER / DRYER SPECIFICATIONS

OVERALL SPECIFICATIONS:

| | | |
|--|----------------------|--|
| Capacity: | | |
| Dry Weight Capacity (per machine) - lb (kg) | 50 (22.7) | |
| Washer Cylinder Volume - cu ft (L) | 6.5 (184.1) | |
| Dryer Cylinder Volume - cu ft (L) | 15.8 (447.4) | |
| Speed: | | |
| Washer High Extract Speed - g (RPM) | 200 (685) | |
| Washer Intermediate Extract Speed - g (RPM) | 60 (375) | |
| Washer Washing Speed - g (RPM) | 0.9 (43) | |
| Washer Motor Size - hp (kW) | 3 (2.2) | |
| Dryer Tumbler Speed - (RPM) | 45 --- | |
| Dryer Motor Size - hp (kW) | 2 & 1/2 (1.5 & 0.38) | |
| Airflow (Dryer Only): | | |
| 60 Hz Model - cfm (M3/min) | 650 (18.4) | |
| 50 Hz Model - cfm (M3/min) | 510 (14.4) | |
| Dimensions: | | |
| Overall Cabinet Height - in (cm) | 87 3/16 (221.5) | |
| Overall Cabinet Width - in (cm) | 34 1/2 (87.6) | |
| Overall Cabinet Depth - in (cm) | 54 5/8 (138.7) | |
| Washer Cylinder Diameter - in (cm) | 30 (76.2) | |
| Washer Cylinder Depth - in (cm) | 16 (40.6) | |
| Washer Door Opening - in (cm) | 19 1/4 (48.9) | |
| Floor to Washer Door Bottom - in (cm) | 16 (40.6) | |
| Dryer Cylinder Diameter - in (cm) | 32 1/2 (82.5) | |
| Dryer Cylinder Depth - in (cm) | 33 (83.8) | |
| Dryer Door Opening - in (cm) | 25 5/8 (65.1) | |
| Floor to Dryer Door Bottom - in (cm) | 55 1/8 (140) | |
| Dryer Lint Screen Area - sq in (sq cm) | 544 (3510) | |
| Weight: | | |
| Net Weight - lb (kg) | 1600 (725.7) | |
| Shipping Information: | | |
| Shipping Weight - lb (kg) | 1650 (748.4) | |
| Shipping Height - in (cm) | 91 5/8 (232.7) | |
| Shipping Width - in (cm) | 35 7/8 (91.1) | |
| Shipping Depth - in (cm) | 63 1/2 (161.3) | |
| Installation Recommendations: | | |
| Min Clearance Between Machines - in (cm) | 1/2 (1.3) | |
| Min Clearance Behind Machines - in (cm) | 24 (61) | |
| Minimum Concrete Thickness - in (cm) | 8 (20.3) | |
| Make-Up Air Required - sq ft (sq cm) | 1 (929) | |
| Exhaust Size - in (cm) | 8 (20.3) | |
| Max Exh Back Pressure (Water Column) - in (mm) | 0.3 (7.6) | |
| Recommended Exh Length - ft (m) & 2 elbows | 14 (4.3) | |

WASHER REQUIREMENTS:

| | | |
|------------------------------------|------------------|--|
| Water Requirements: | | |
| Water Inlet Size - in (mm) | 3/4 (19) | |
| Pressure (min/max) - psi (kPa) | 30-120 (207-827) | |
| Flow Rate - gal/min (L/min) | 9 (34) | |
| Drain Diameter (O.D.) - in (cm) | 3 (7.6) | |
| Floor to Center of Drain - in (cm) | 6 5/8 (16.8) | |

DRYER REQUIREMENTS:

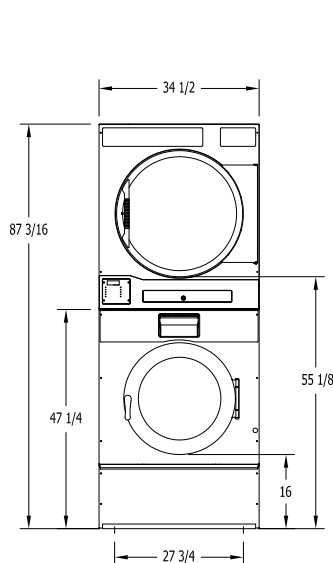
| | | |
|---|-------------------------------|--|
| Gas Requirements (Gas Models Only): | | |
| Gas Supply Connection - in (mm) | 1/2 (12.7) | |
| Natural Gas Supply (Water Column) - in (cm) | 5-8 (12.7 - 20.3) | |
| LP Gas Supply (Water Column) - in (cm) | 11 1/2 - 13 1/2 (29.2 - 34.3) | |

Gas Usage (Gas Models Only):

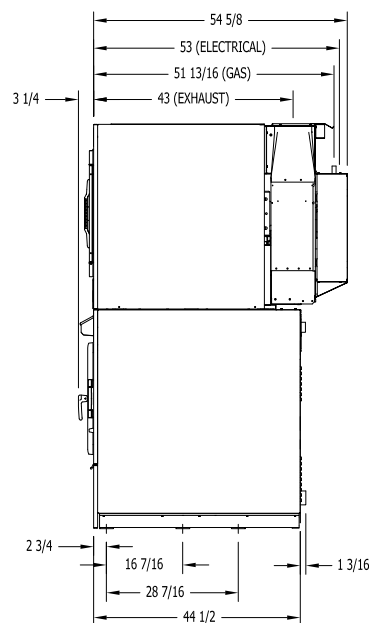
| | |
|--------------------------|----------------|
| 60Hz Model - BTU/hr (kW) | 108,000 (31.7) |
| 50Hz Model - BTU/hr (kW) | 96,500 (28.3) |

ELECTRICAL REQUIREMENTS:

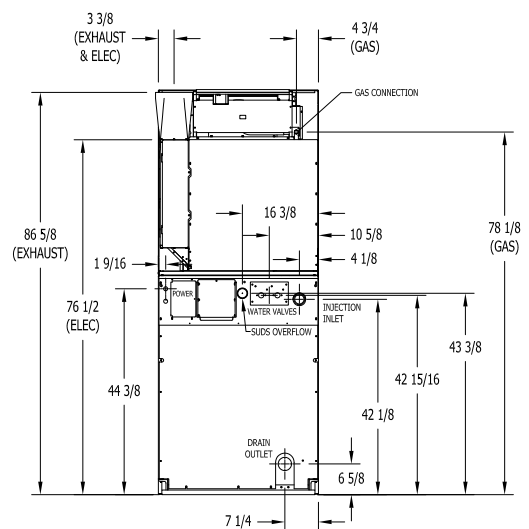
| Model | Volts / Hz / Phase / Wiring | Circuit Breaker Amps / Running Amps / Wire Size / Rev |
|-------|-----------------------------|---|
| -16 | Washer | 208-240 / 60 / 1 / 2 wire + ground |
| | Gas Dryer | 208-240 / 60 / 3 / 3 wire + ground |
| -39 | Washer | 230 / 50 / 1 / 2 wire + ground |
| | Gas Dryer | 230 / 50 / 1 / 2 wire + ground |



FRONT



SIDE



BACK

Due to continuous product improvements specifications are subject to change, please consult the installation manual for the most accurate information.

*Agency approvals may vary depending on the machine configuration, consult Dexter Laundry or your Dexter Authorized Distributor for details.